

LFE12



The MacPherson LFE12 is a low-frequency loudspeaker designed to complement the IS Series of loudspeakers. The LFE12 utilizes a front-loaded, 12-inch, high-power driver mounted in a low-profile enclosure.

When combined with the MacPherson IS12 or IS12X, the LFE12 provides solid low-frequency enhancement in the critical 45Hz to 140Hz range. The result is a high-fidelity system with "big" sound in a very unobtrusive package.

The narrow width of the LFE12—less than 15 inches—allows the cabinet to be mounted between standard wall studs. Eyebolt rigging points are provided on the top, bottom, and rear for suspending the cabinet. This combination of features makes the LFE12 an extremely versatile sound tool.

As with all MacPherson loudspeakers, the LFE12 is constructed of premium-grade hardwood plywood and uses the finest hardware and construction techniques. Available in black or paint-ready finishes.

Features

- Clear, well-defined output
- High power handling
- Installation flexibility
- Multiple rigging points

LFE12 Specifications

Standard Configuration
LFE12

Frequency Response
±3dB, 45Hz to 140Hz

Nominal Impedance
8 ohms

Sensitivity
96dB, one watt, one meter

Recommended Amplifier Power
400 to 600 watts RMS into 8 ohms

Connectors
One, Neutrik NL4; two, barrier strips

Suspension/Attachment Points
Ten, 5/16-18 threads

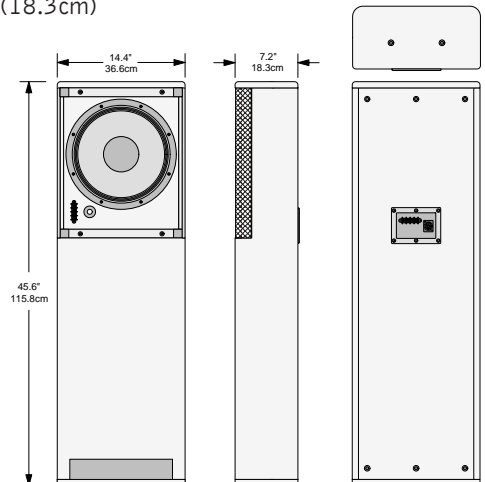
Enclosure
Hardwood plywood, textured black finish, powder-coated perforated steel grill with open-cell foam backing, recessed connector plate, front-to-back wirepass raceway

Dimensions
45.6 inches high (115.8cm)
14.4 inches wide (36.6cm)
7.2 inches deep (18.3cm)

Weight
65.0 pounds
(29.6kg)

Options
Paint-ready finish, weather-proofing

Warranty
Three years from date of original purchase



Contacts subject to change without notice. Dimensions provided for general reference only.