

# IS12X

## The MacPherson IS12X is a powerful 2-way system housed in a deceptively small enclosure

The IS12X is an excellent loudspeaker for a variety of applications. The combination of a powerful 12-inch low-frequency driver, a 2-inch compression driver, and MacPherson slot-CD horn allow the IS12X to provide warm, well-defined lows and exceptional highs. All contained in a cabinet less than 8-inches deep and narrow enough to fit between wall studs.

## Great things come in small packages

Like all of the IS Series cabinets, the IS12X was designed with the installer in mind. The cabinet includes rigging points on multiple sides, a powder-coated perforated metal grill, and a choice of black or paint-ready finish. Connectors include a single Neutrik NL4, plus two barrier strips—one on the back and one on the front under the grill—ideal for testing, or for use in wall-mounted applications.



### Features

- Low-profile enclosure for small visual profile
- Narrow enough to fit between wall studs
- Dual barrier strips for easy connection and testing
- Ten convenient rigging points for easy suspension
- Wide frequency response
- Rotatable slot-CD horn for smooth, wide high-frequency dispersion
- Ideal for churches, meeting rooms, auditoriums, multimedia systems, screening rooms, and a variety of applications

# IS12X

## IS12X Specifications

### Standard Configuration

IS12X: Bi-amp

### Frequency Response

±3dB, 90Hz to 15kHz

±5dB, 65Hz to 17kHz

### Coverage (between -6dB points)

Horizontal: 90 degrees

Vertical: 55 degrees

HF component rotates for alternate pattern selection

### Nominal Impedance

LF: 8 ohms

HF: 8 ohms

### Sensitivity

LF: 96dB, one watt, one meter

HF: 106dB, one watt, one meter

### Maximum SPL

124dB, broadband, one meter, one minute

### Recommended Amplifier Power

LF: 400 to 600 watts

HF: 120 to 200 watts

RMS into 8 ohms

### Recommended Crossover Point

1.3kHz, 24dB per octave

### Connectors

One, Neutrik NL4; two, barrier strips

### Suspension/Attachment Points

Ten, 5/16-18 threads

### Enclosure

Hardwood plywood, textured black or paint-ready finish, powder-coated perforated steel grill with open-cell foam backing, recessed connector plate, front-to-back wirepass raceway

### Dimensions

30.2 inches high (76.8cm)

14.4 inches wide (36.6cm)

7.2 inches deep (18.3cm)

### Weight

60.0 pounds (27.3kg)

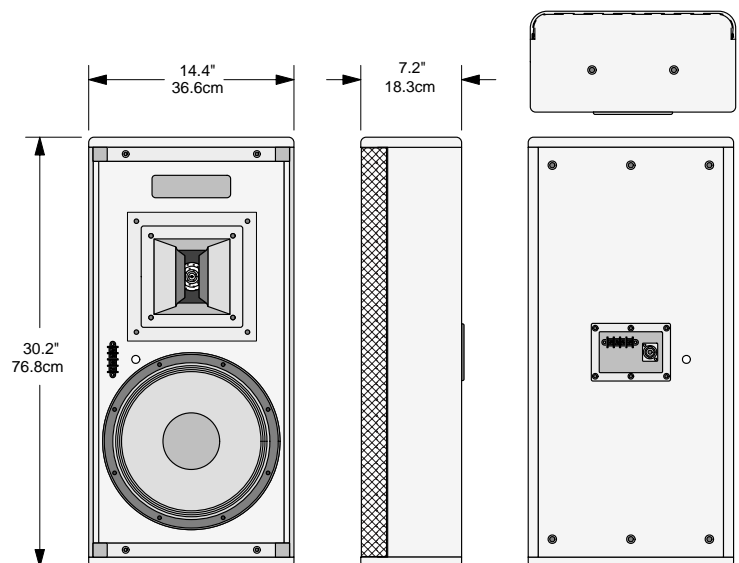
### Options

Paint-ready finish, weatherproofing, Black Box Stereo Analog Controller unit, CCM Control Card for Crown P.I.P.<sup>®</sup>-compatible amplifiers

### Warranty

Three years from date of original purchase

Contents subject to change without notice. Dimensions provided for general reference only.



**macpherson**