

IS15

The MacPherson IS15 provides big sound from an unconventionally small cabinet

The MacPherson IS15 is a full-range loudspeaker system utilizing a 15-inch low-frequency driver and a 1-inch compression driver mounted on a 90-degree conical waveguide for smooth, even coverage.

Designed for installation in a variety of settings, the cabinet includes suspension points on multiple sides, a powder-coated steel grill, and a choice of black or paint-ready finish. Connectors include a Neutrik NL4, plus two barrier strips—one on the back and one on the front under the grill—ideal for testing, or for use in wall-mounted applications.

A low-profile loudspeaker with concert-quality sound

The IS15 may look small, but its sound is huge—warm, tight bass response, crisp clear highs, and the exceptional coverage installers need for single-point systems. An excellent loudspeaker for a variety of applications.

Features

- Low-profile enclosure for small visual profile
- Dual barrier strips for easy connection and testing
- High power handling
- Convenient rigging points for easy suspension
- Excellent frequency response
- Smooth, wide, high-frequency dispersion
- Ideal for churches, meeting rooms, auditoriums, multimedia systems, screening rooms, and a variety of applications



IS15

IS15 Specifications

Standard Configuration

IS15: Full range

Frequency Response

±3dB, 85Hz to 17kHz

±5dB, 60Hz to 18kHz

Coverage (between -6dB points)

Horizontal: 90 degrees

Vertical: 90 degrees

Nominal Impedance

8 ohms

Sensitivity

98dB, one watt, one meter

Maximum SPL

121dB, broadband, one meter, one minute

Recommended Amplifier Power

400 to 700 watts RMS into 8 ohms

Connectors

One, Neutrik NL4; two, barrier strips

Suspension/Attachment Points

Ten, 5/16-18 threads

Enclosure

Hardwood plywood, textured black or paint-ready finish, powder-coated perforated steel grill with open-cell foam backing, recessed connector plate, front-to-back wirepass raceway

Dimensions

30.2 inches high (76.8cm)

17.2 inches wide (43.6cm)

8.4 inches deep (21.3cm)

Weight

65.5 pounds (29.8kg)

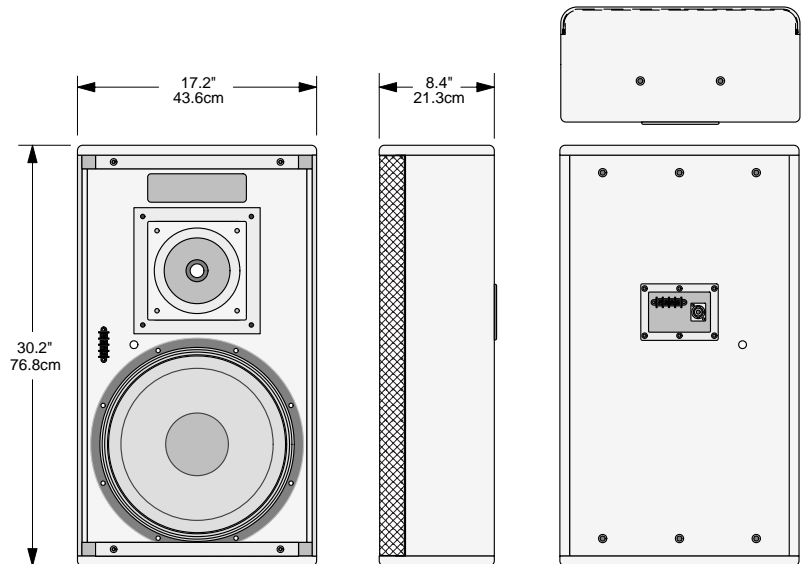
Options

Paint-ready finish, weatherproofing

Warranty

Three years from date of original purchase

Contents subject to change without notice.
Dimensions provided for general reference only.



macpherson

www.macpherson-inc.com