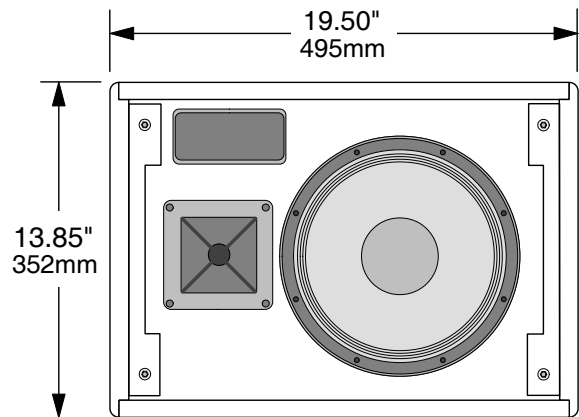
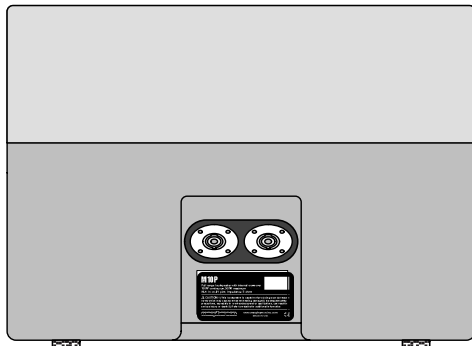


Two 5/16-18 threaded attachment points provided; spacing compatible with Ultimate Support BMB-200K mounting bracket



WARNING: M10P not intended for use in overhead suspension applications (see M10PF).

macpherson		
Product M10P		
Drawing No. 70648	Page 01 of 01	Date 01/23/06
www.macpherson-inc.com		