

M12B

MacPherson's original "asymmetrical" loudspeaker is an unusually versatile 12-inch 2-way system.

The M12B is a compact loudspeaker system in an asymmetrical cabinet, which enables it to be used as a floor monitor or main system. A flush-mounted pole cup for stand mounting and a D-ring flypoint for hanging applications are also included to add to the M12B's versatility. The molded plywood enclosure is sturdy, lightweight, and easy to configure in arrays.



The M12B uses a 1-inch compression driver for smooth, natural, high-frequency response and a 12-inch LF driver for tight, low-frequency performance and excellent power handling.

The M12B is available either bi-amplified or with an internal crossover.

Whether you need the high power and flexibility of a bi-amplified cabinet or the ease of use of a full-range cabinet, the MacPherson M12B is an excellent choice for virtually every occasion.

Features

- Asymmetrical design works as floor monitor or main system
- No processor required
- Requires little (if any) equalization
- Extremely high SPL capability
- Excellent power handling
- Small and lightweight for easy transport
- Bi-amplified or full range versions available
- Built-in flypoint and pole cup
- Smooth vocal range, tight, low-frequency performance

M12B

M12B Specifications

Frequency Response

±3dB, 90Hz to 14kHz
±5dB, 65Hz to 17kHz

Coverage

Horizontal: 85 degrees
Vertical: 55 degrees

Sensitivity

LF: 96dB, one watt, one meter
HF: 103dB, one watt, one meter

Recommended Amplifier Power

LF: 400 watts to 600 watts into 8 ohms
HF: 100 watts to 200 watts into 8 ohms, excellent results are obtained using a 500 watt-per-channel amplifier with Channel A for lows and Channel B (attenuated) for highs

Nominal Impedance of Each Driver

8 ohms

Recommended Crossover Point

1.8kHz, 24dB per octave

Maximum SPL

121dB, broadband, one meter, one minute

Connectors

Neutrik NL-4, other connectors available

Enclosure

13-ply Baltic birch, 12-ply molded plywood corner construction, 2-part textured black finish, perforated steel grill with open-cell foam backing, flush-mounted Ultimate Support pole flange, flush-mounted steel dish handles, D-ring flypoint

Dimensions (Floor Monitor Position)

13.7 inches high (34.7cm)
20.9 inches wide (53.0cm)
14.9 inches deep (37.8cm)

Weights

M12B: 44.5 pounds (20.2kg)
M12BP: 46.5 pounds (21.1kg)

Standard Configurations

M12B: Bi-amp
M12BP: Full range

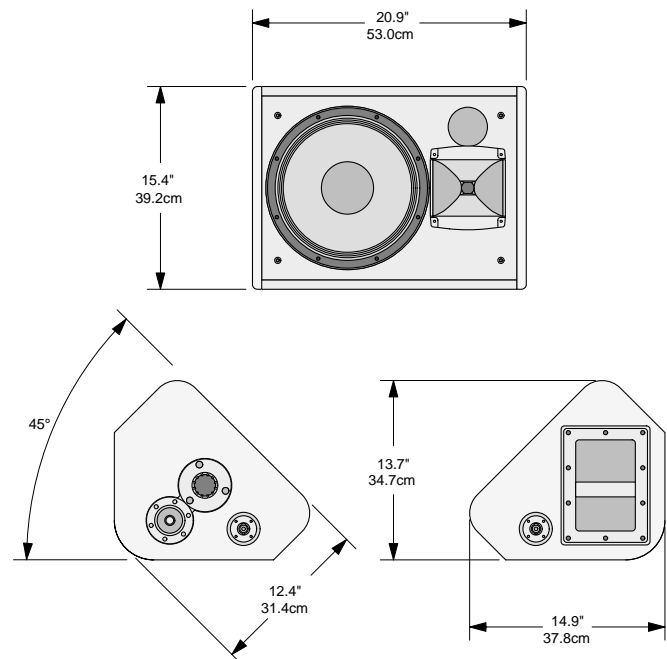
Options

EP-4 connectors, custom finishes, weatherproofing, Black Box Stereo Analog Controller unit, CCM Control Card for Crown P.I.P.[®]-compatible amplifiers, flight cases

Warranty

Three years from date of original purchase

Technical specifications subject to change without notice.
See price list for details on options.



macpherson

www.macpherson-inc.com