

# M2B Version 2

## A great sounding 2-way trapezoid cabinet for a variety of situations

Designed to be a cost-effective alternative to processor-based systems, the MacPherson M2B Version 2 Series offers excellent vocal intelligibility plus extended bass response not usually associated with small trapezoid systems. While comparable in size with systems utilizing a 12-inch LF driver, the M2B Version 2 Series employs a high-output 15-inch speaker, greatly enhancing its bass performance. Additionally, the M2B Version 2 Series features a 1-inch compression driver with excellent power handling and extremely natural high-frequency reproduction. For durability, the enclosure is constructed of hardwood plywood with a textured black epoxy finish.

The standard M2B Version 2 configuration allows back panel selection of full-range or bi-amplified operation. In addition, full-range-only versions are available. No dedicated processor is required, yet rental companies and installers have reported that the loudspeaker actually exceeds the performance parameters of many processor-based designs. For overhead-suspension applications, several versions of the M2B Version 2 are available. An optional spreader plate is available to allow a horizontal array to be quickly and accurately created.



### Features

- True broadband performance
- Wide horizontal coverage—ideal for small PA or horizontal array applications
- No processor required
- Selectable full range or bi-amp operation
- Small footprint
- Tight, low-frequency response
- Built-in pole cup
- Available with overhead-suspension hardware

# M2B Version 2

## M2B Version 2 Series Specifications

### Standard Configurations

M2B-V2: Selectable bi-amp / full range

M2B3F-V2: Selectable bi-amp / full range, attachment points on top and bottom of cabinet

M2BP-V2: Full range

M2B3FP-V2: Full range, attachment points on top and bottom of cabinet

### Ring/Stud Attachment Points

Type: Combination ring and stud; stud compatible with 12 jaw fitting

M2B3F-V2 / M2B3FP-V2: Three, two located on top of cabinet, one bottom

### Threaded Attachment Points

M2B3F-V2 / M2B3FP-V2: Eight, 3/8-16 threads

### Pole Mounting

Cast-aluminum mounting cup, accepts 1.5-inch diameter pole

### Frequency Response

±3dB, 90Hz to 14kHz

±5dB, 60Hz to 18kHz

### Coverage (between -6dB points)

Horizontal: 90 degrees

Vertical: 50 degrees

### Nominal Impedance (Full Range)

8 ohms

### Nominal Impedance (Bi-Amp)

LF: 8 ohms

HF: 8 ohms

### Sensitivity (Full Range)

96dB, one watt, one meter

### Sensitivity (Bi-Amp)

LF: 97dB, one watt, one meter

HF: 103dB, one watt, one meter

### Maximum SPL (Full Range)

121dB, broadband, one meter, one minute

### Maximum SPL (Bi-Amp)

124dB, broadband, one meter, one minute

### Recommended Amplifier Power (Full Range)

400 watts RMS into 8 ohms

### Recommended Amplifier Power (Bi-Amp)

LF: 400 watts RMS into 8 ohms

HF: 80 watts RMS into 8 ohms

### Recommended Crossover Point

1.8kHz, 24dB per octave

### Connectors

Two, Neutrik NL4

### Enclosure

Hardwood plywood, textured black epoxy finish, powder-coated perforated steel grill with open-cell foam backing, flush-mounted steel handles

### Dimensions

24.7 inches high (62.7cm)

17.4 inches wide (44.3cm)

16.5 inches deep (41.9cm)

### Weights

Between 62.5 pounds (28.4kg) and 66.0 pounds (30.0kg) depending on configuration

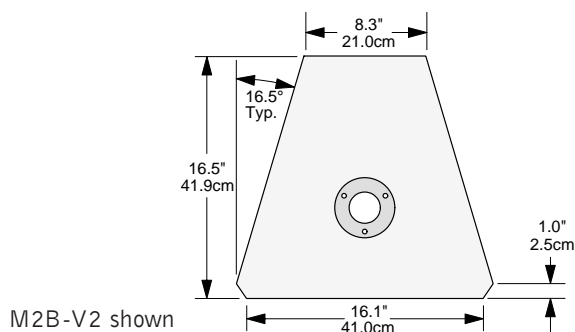
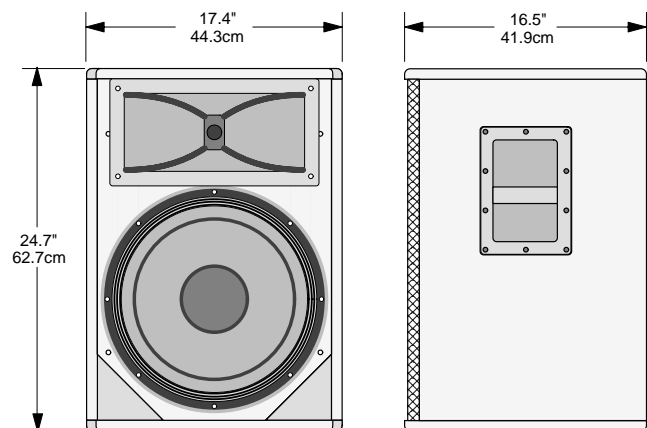
### Options

Overhead-suspension spreader plate

### Warranty

Three years from date of original purchase

Contents subject to change without notice. Dimensions provided for general reference only.



**macpherson**

www.macpherson-inc.com