

M2X Version 2

The M2X Version 2—MacPherson's premier bi-amplified 2-way trapezoid loudspeaker

The M2X Version 2 may be the finest loudspeaker in its class. Similar in appearance to the popular M2B, the M2X Version 2 contains a 600-watt RMS 15-inch woofer and a 2-inch compression driver for outstanding broadband performance. This combination of components results in extended bandwidth and extreme SPL capability not usually associated with smaller 2-way trapezoid cabinets.

Road versions of the M2X Version 2 includes two recessed steel handles and an integral pole-mounting socket. An optional spreader plate ensures fast and correct alignment when creating horizontal arrays. An install version is also available for dedicated overhead-suspension applications.



Why Version 2

The M2X Version 2 builds on the original M2X design, adding significant sonic improvements. A redesigned high-frequency filter network effectively shapes the HF performance, eliminating much of the harshness often associated with compression driver/horn combinations. A damping ring has been added to the HF driver, limiting the chance that standing waves will be created. An improved 15-inch woofer adds greatly increased warmth and accuracy, especially at the crossover point. Overall, the M2X Version 2 has reached a level of clarity and accuracy to be considered truly "high-fi." The accurate frequency and phase response ensures that vocal reproduction is excellent. The M2X Versions 2's strong sonic performance coexists in a loudspeaker that is capable of high SPL output and possesses the long-term reliability required for commercial applications.

Features

- True broadband performance
- Wide horizontal coverage—excellent for small PA or horizontal array applications
- Premium components
- Small footprint
- Extremely high SPL
- Available for overhead-suspension use

M2X Version 2

M2X Version 2 Specifications

Standard Configurations

M2X-V2: Bi-amp

M2X3F-V2: Bi-amp, attachment points on top and bottom of cabinet

M2X-IN-V2: Bi-amp, attachment points on top, bottom, and back of cabinet

Ring/Stud Attachment Points

Type: Combination ring and stud; stud compatible with 12 jaw fitting

M2X3F-V2: Three, two located on top of cabinet, one bottom

Threaded Attachment Points

M2X3F-V2: Eight, 3/8-16 threads

M2X-IN-V2: Twelve, 3/8-16 threads

Pole Mounting

M2X-V2, M2X3F-V2: Cast-aluminum mounting cup, accepts 1.5-inch diameter pole

Frequency Response

± 3 dB, 80Hz to 14kHz

± 5 dB, 55Hz to 17kHz

Coverage (between -6 dB points)

Horizontal: 70 degrees

Vertical: 55 degrees

Nominal Impedance

LF: 8 ohms

HF: 8 ohms

Sensitivity

LF: 98dB, one watt, one meter

HF: 106dB, one watt, one meter

Maximum SPL

127dB, broadband, one meter, one minute

Recommended Amplifier Power

LF: 600 watts

HF: 120 watts

RMS into 8 ohms

Recommended Crossover Point

1kHz, 24dB per octave

Connectors

Two, Neutrik NL4

Enclosure

Hardwood plywood, textured black finish, powder-coated perforated steel grill with open-cell foam backing

Dimensions

24.7 inches high (62.7cm)

17.4 inches wide (44.3cm)

16.5 inches deep (41.9cm)

Weight

73.0 pounds (33.2kg)

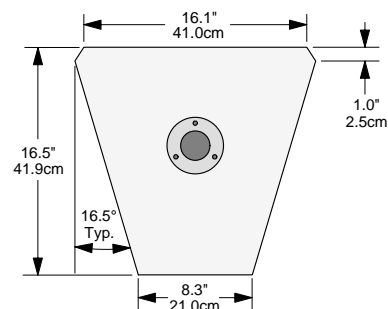
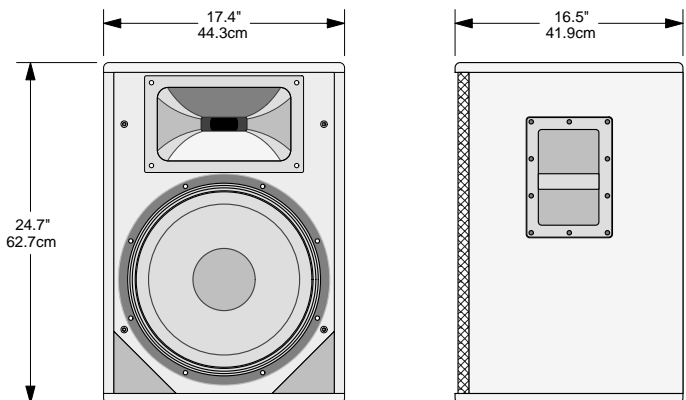
Options

Overhead-suspension spreader plate, Black Box Stereo Analog Controller unit, CCM Control Card for Crown P.I.P.[®]-compatible amplifiers

Warranty

Three years from date of original purchase

Contents subject to change without notice. Dimensions provided for general reference only.



M2X-V2 shown

macpherson

www.macpherson-inc.com