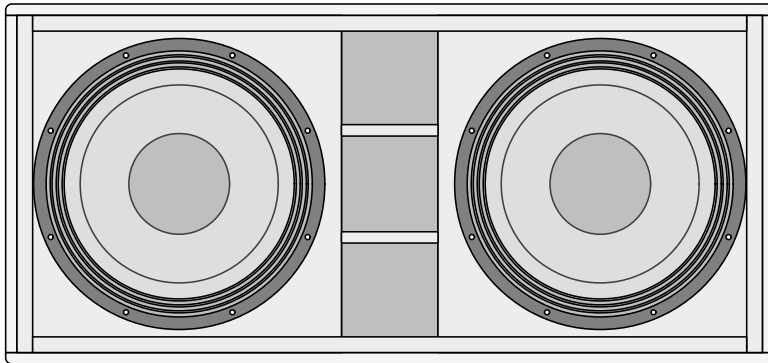


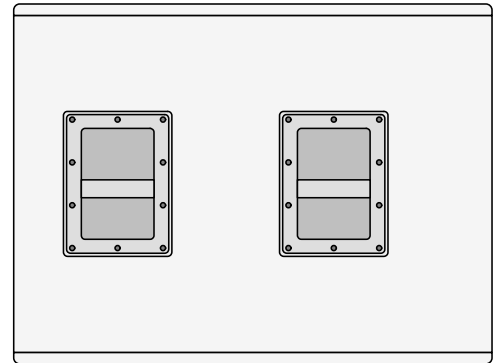


48.00"
1219mm

29.88"
759mm



22.50"
572mm



DRAWINGS ARE PROPRIETARY

macpherson		
Product	MD18	
Drawing No.	Page	Date
70617	01 of 01	10/24/01
macpherson-inc.com		